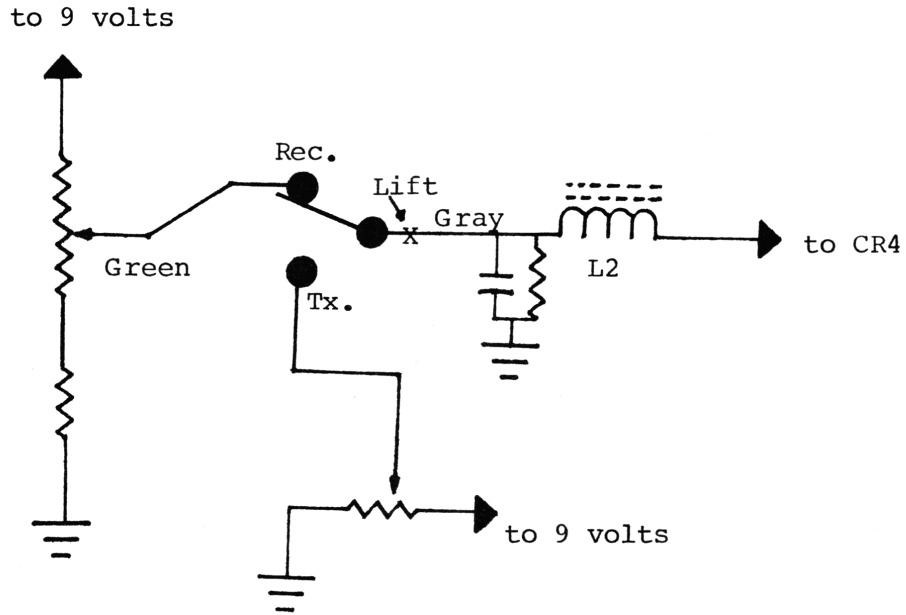


CRAIG L231 CLARIFIER

1. Unsolder GRAY wire at relay.
2. Resolder at Green wire @ clarifier wiper.
3. Change CR4 to a Super Diode-L5 AM; L6 USB.



OHMS LAW FOR DC CIRCUITS

